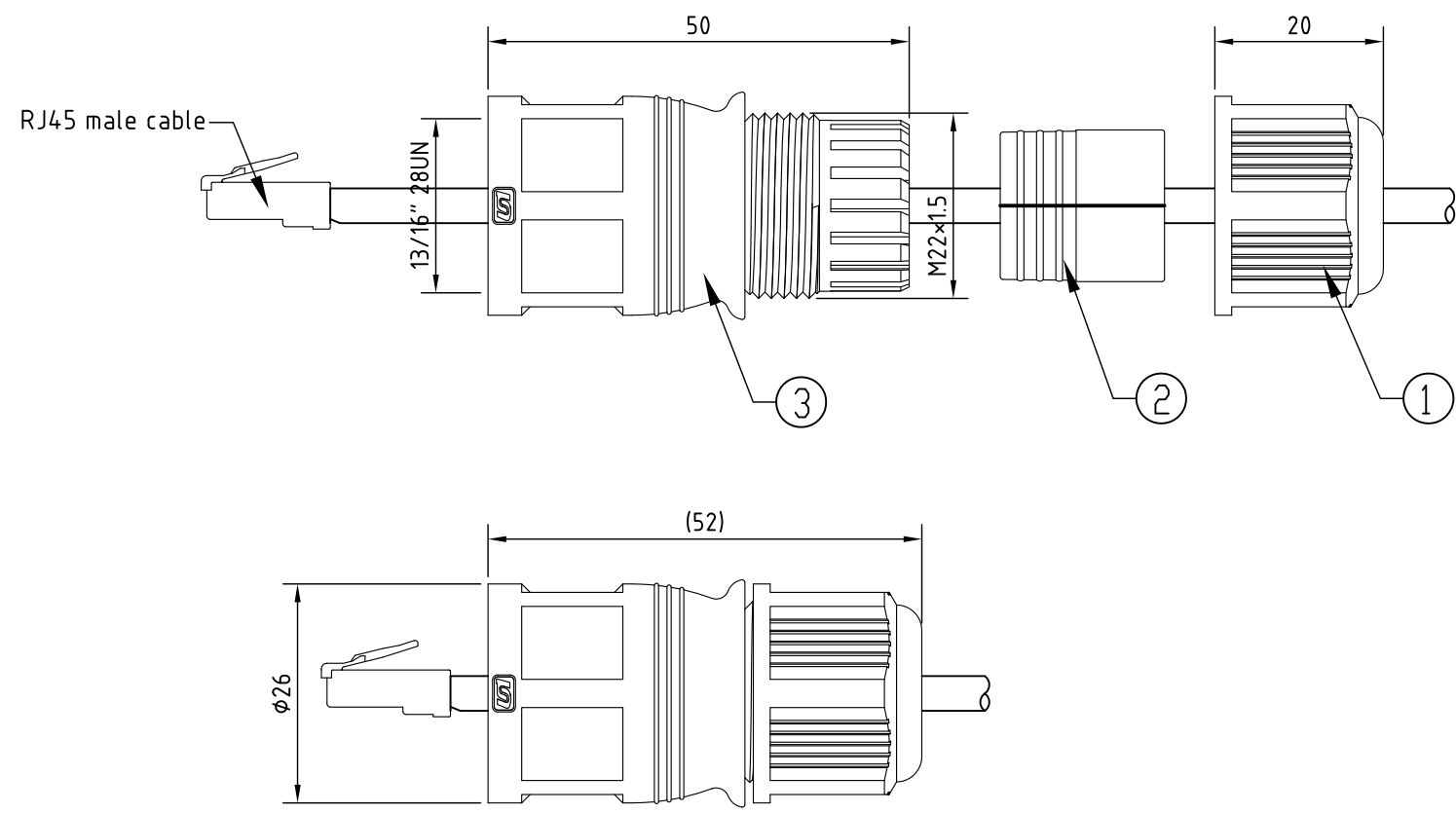


REV.	Description	Date
1	upgrade drawing	2014/6/12

Specification of connector

Locking system : Screw 13/16" 28UN
Shell protection : IP68 when mated



RoHS
TOLERANCE X±0.5 .X±0.3

3	Body	PA	
2	Seal	TPR	
1	Screw nut	PA	
Item	Description	Material	Treat & Remark



Unicable Co., Ltd. 國陽電業有限公司
5F., No. 111-33, Sec. 4, San Ho Road, San Chung City, Taiwan, R.O.C.
<http://www.unicable.com.tw> TEL:+886-2-2286-2122 FAX:+886-2-2286-1010

DATE	2016/10/7	PART NO.	UT-4048
DWN	GINA	REV.	1
CHK			
UNIT	MM		

ITEM	Waterproof RJ45
------	-----------------